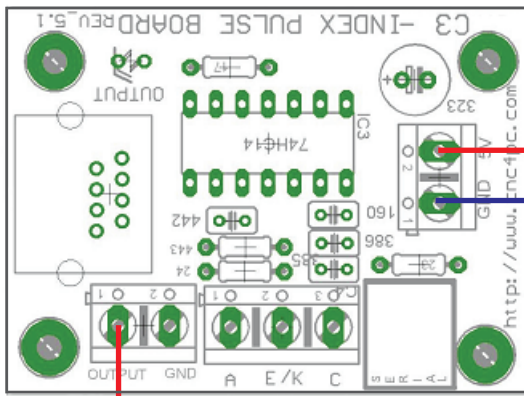
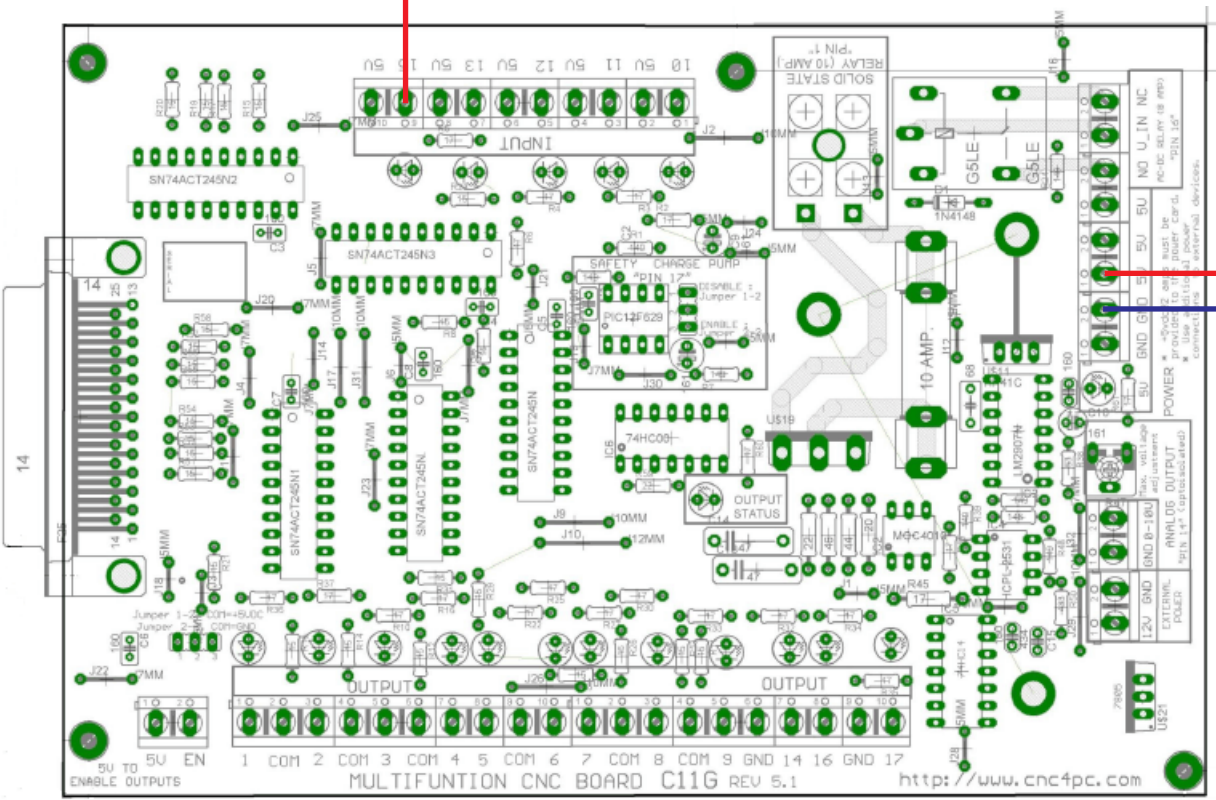


C3 Index Pulse Card

Connect C3 Output to any available C11G Input as Index Pulse



Use 5VDC PS from C11G to power the C3



POWER SUPPLY
+5VDC
+0VDC

C11G Multifunction CNC Board

Wiring C3 to C11G